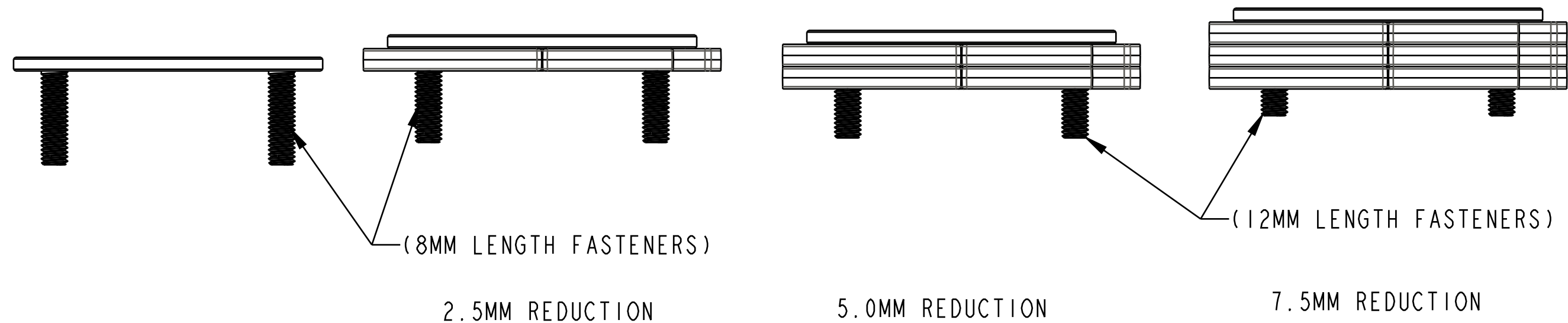


4

3

2

1



(8MM LENGTH FASTENERS)

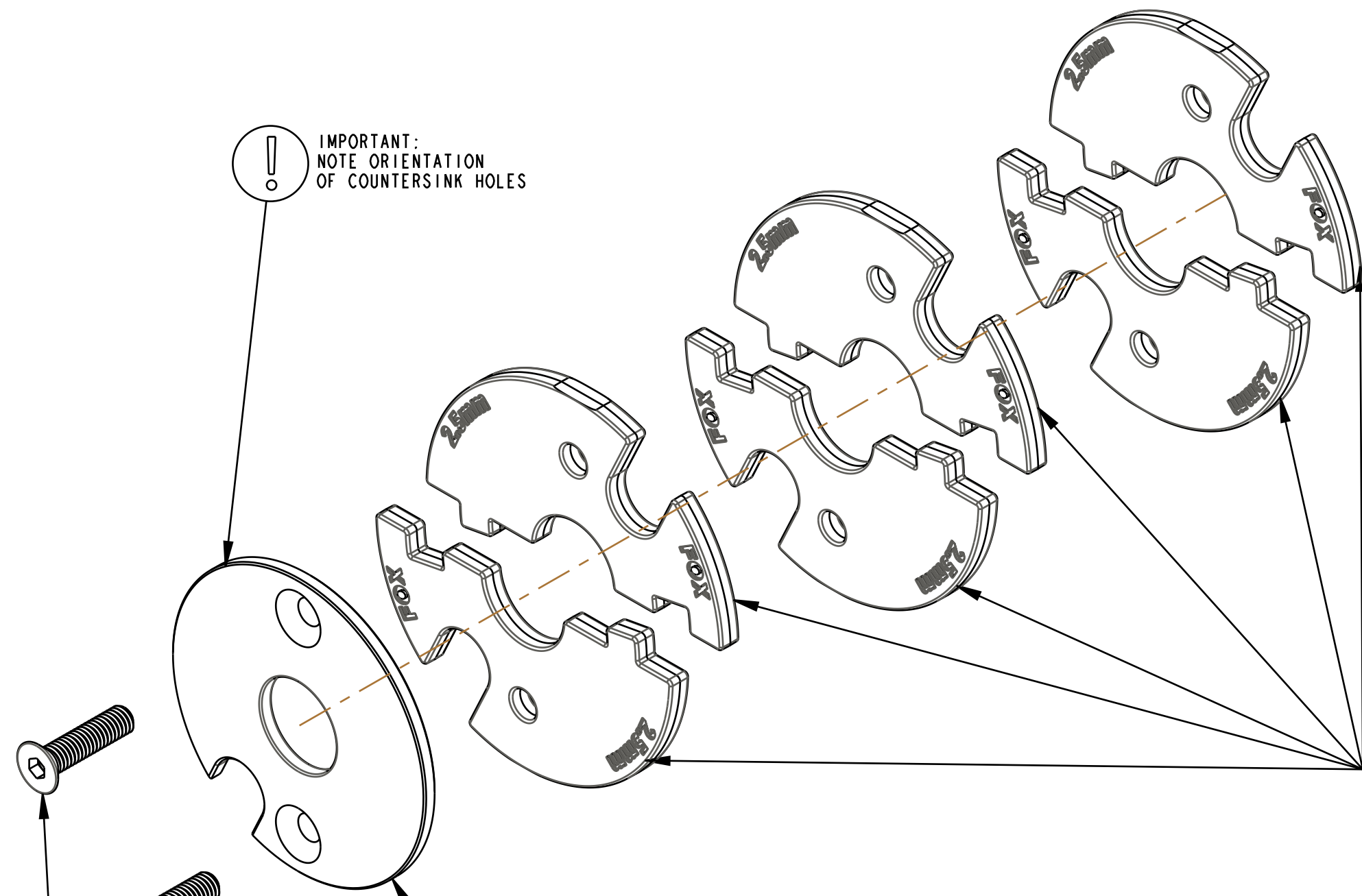
(12MM LENGTH FASTENERS)

2.5MM REDUCTION

5.0MM REDUCTION

7.5MM REDUCTION

! IMPORTANT:  
NOTE ORIENTATION  
OF COUNTERSINK HOLES



210-24-967  
Cap, Bearing Housing, 2023 FLOAT DPS

233-00-537  
Spacer: Travel, 2.5mm, 2024 Float LV

019-01-007-A: Fastener, Standard (Metric): Screw [M3 x 8mm] Socket Flathead (Use for full travel and 2.5mm travel reduction)  
019-01-201: Fastener, Standard (Metric): Screw [M3 x 12mm] Black, Socket Flathead (Use for 5.0mm and 7.5mm travel reduction)

PROPRIETARY  
THIS DOCUMENT CONTAINS CONFIDENTIAL, PROPRIETARY INFORMATION  
THAT IS FOX PROPERTY. DO NOT DISCLOSE TO OR DUPLICATE  
FOR OTHERS EXCEPT AS AUTHORIZED BY FOX.

		<b>FOX Factory, Inc.</b>	Ph 831-768-1100
		130 Hangar Way, Watsonville, CA 95076 USA	Fax 831-768-9312
TITLE Assy Dwg: 2024 Float LV, Travel Spacer Assy			
SIZE	DWG. NO.		
<b>C</b>			
PLOT SCALE	2:1	SHEET 1 OF 1	

4

3

2

1

ProE ASSEM